



eürofürst

www.eurofurst.com.au

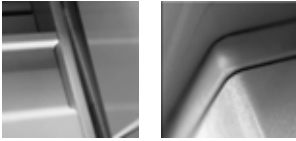
Terrace awnings



Stay cool in the shade



Business Partner
STOBAG
Premium Swiss Quality



*All the diversity, all the excitement
And all the beauty of life
Is made up of sunshine and shade.*

Leo Tolstoy

STOBAG - Premium Swiss Quality

Stay cool in the shade



Shade means quality of life.

Your increasing demand for convenience, functionality and design has motivated us time and again to develop innovative solutions - and this since 1964.



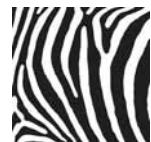
Whether for balconies or terraces, conservatories or facades - as the leading Swiss manufacturer, STOBAG offers a wide range of individual awning systems to suit all requirements.

Your shade oasis can be comfortably expanded and automated through cleverly devised comfort options.

Plunge into the inspired world of colours and forms. Experience the fantastic symbiosis of quality, technology and design.



eürofürst





Quality and safety

We guarantee you durable products in uncompromising quality. We achieve this through the consistent use of high quality materials, modern and environmentally sustainable production processes as well as continuous safety inspections.



Functionality & Technology

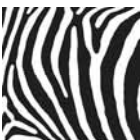
Our many years of experience and close cooperation with specialists, architects and planners enable us to develop innovative products that meet the highest demands.- yesterday, today and tomorrow.



Aesthetics & design

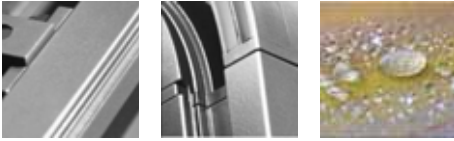
Emotions turn our daily routine into an adventure. The influence of colours and forms play a central role in this. Therefore STOBAG awnings are customised for you. Select from over 350 cover designs and countless frame colours and you can achieve the perfect harmony between architecture and environment

Subject to change without prior notification



eürofürst





ALFRESCO

Creates space outdoors



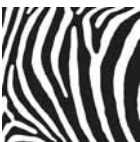
The ALFRESCO P4000 terrace awning has been specially designed for tough commercial use. Come rain or come shine, this innovative weather protection system is the ultimate solution for creating extra "space" outdoors.

The robust and corrosion-resistant aluminium framework of the ALFRESCO P4000 allows wall fixing or top fixing using continuously adjustable brackets. You can build any number of units side by side. An electric motor allows convenient operation of the awning. The StobLock™ system keeps the fabric perfectly tensioned. The integrated gutter system ensures the sheltered area remains dry even when it rains.

The optional banner system makes it perfectly suitable as advertising space. Other convenient options, such as halogen lighting, heating systems or remote control motor, are also available.

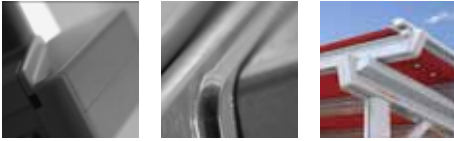


Optimum protection against sun and rain. The ultimate solution for roofed smoking areas. Ideal for hotels, restaurants, bars and cafés.



eürofürst

Business Partner
STOBAQ
Premium Swiss Quality



MIRANDA

Makes it easy to enjoy your holiday at home.



The integral shading of the MIRANDA P8000 protects against the sun and, with a fall of at least 6°, the waterproof cover can also be used in the rain. The aluminum beams provide the typical pergola character. They are totally weatherproof and guarantee an extremely long life.

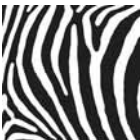


The approved bracket system guarantees easy installation of the MIRANDA P8000 on walls or ceiling. The integral gas filled cylinder ensures constant tensioning of the cover.

The powerful electric drive comes as standard. Also available with universal vertical awning, atmospheric lighting and automatic control, the MIRANDA terrace awning offers sheer comfort and provides a Mediterranean ambience - just as if you were still on holiday.



*Northern ambience at your command. –
The generous sun shade with Mediterranean charm.*



eürofürst

Business Partner
STOBAQ
Premium Swiss Quality



PERGOLINO

Sturdy sun and weather protection



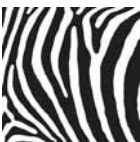
The PERGOLINO P3000 is the ideal sun and weather protection for private homes and restaurants.

A support profile underneath the guide rails provides the system with a high degree of stability. The PERGOLINO is thus able to withstand wind and weather. The support profile is securely positioned in a ground sleeve or in an optional flower trough. The robust system is assembled easily and quickly. Integrated gas-filled cylinders ensure the fabric remains taut in any position. The PERGOLINO P3000 provides reliable protection when combined with an optional, specially impregnated fabric available from the STOBAG range at an angle of 6°, even in bad weather.

Effortless handling thanks to the strong electric motor and high convenience if fitted with control units. Additional controls such as sun, wind or rain sensors, available as options, complement the standard electric drive with convenient automatic functions.



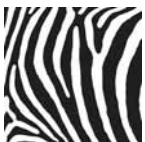
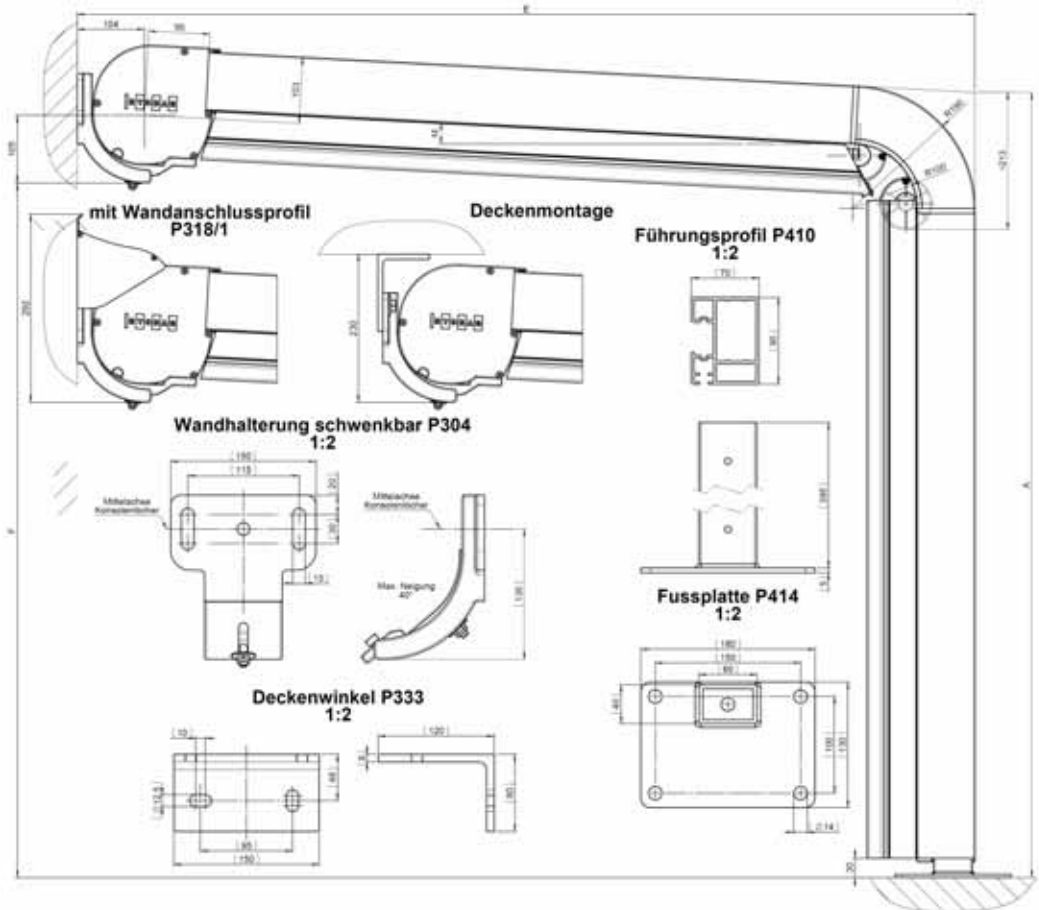
Enjoy your time in the open air. The reliable PERGOLINO shading system ensures hours of relaxation – at home, in the club house or on the restaurant terrace.



eürofürst

Business Partner
STOBAG
Premium Swiss Quality

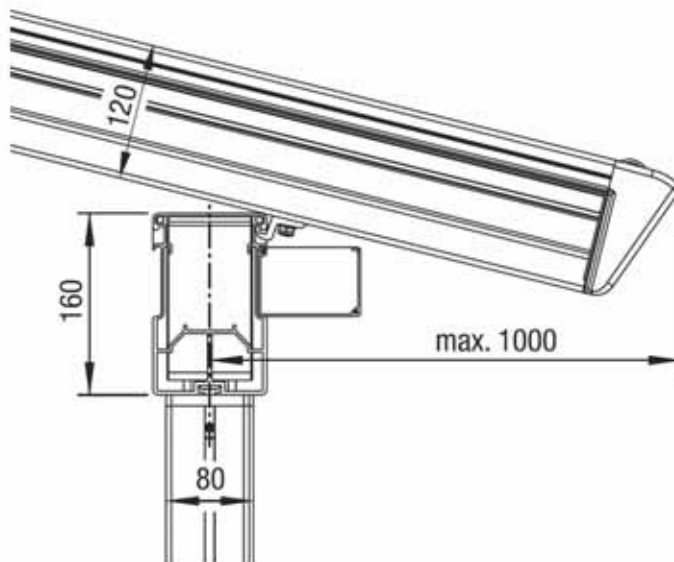
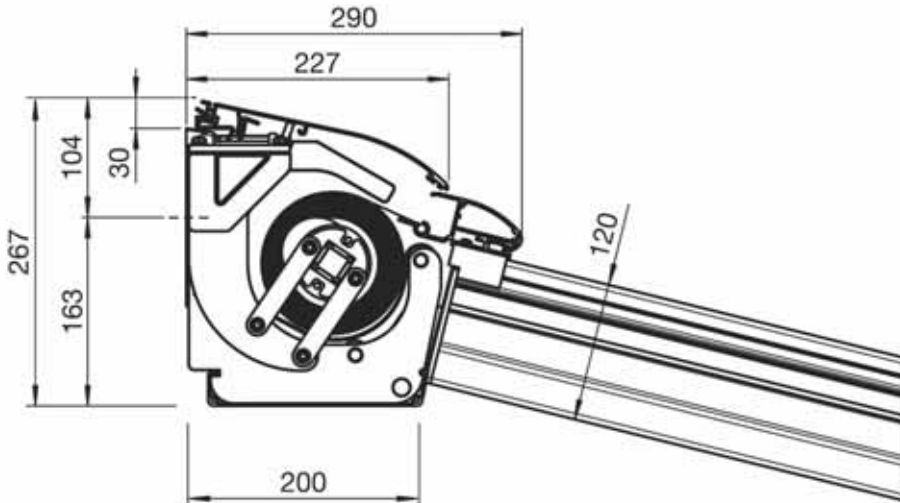
Technical information ALFRESCO P4000



eürofürst

Business Partner
STOBAG
Premium Swiss Quality

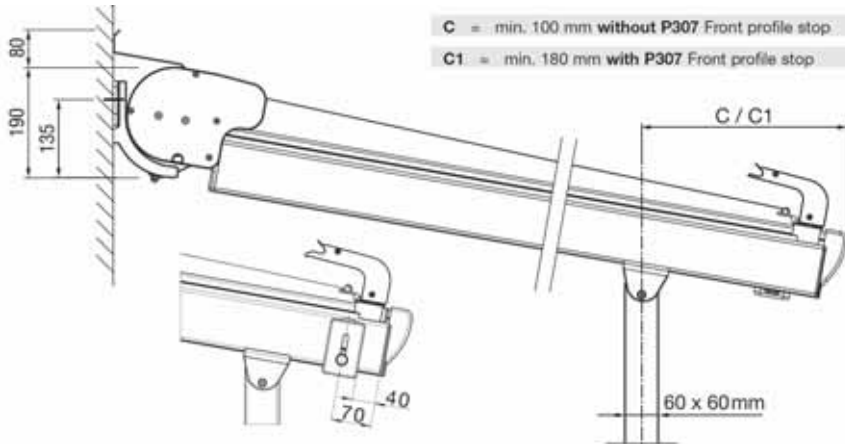
Technical information MIRANDA P8000



eürofürst

Business Partner
STOBAG
Premium Swiss Quality

Technical information PERGOLINO P3000



eürofürst

Business Partner
STOBAQ
Premium Swiss Quality

Technical information

	ALFRESCO P4000	MIRANDA P8000	PERGOLINO P3000
Total width min	² 250cm	100cm	200cm
Total width max	500cm	⁶ 1700cm	⁷ 550cm
Projection min	100cm	150cm	200cm
Projection max	³ 600cm	⁶ 700cm	⁷ 500cm
Wall fixing	●	●	●
Angle of incline	3°-28°	2°-14°	0°-25°
Top fixing	●	●	●
Angle of incline	3°-28°	2°-14°	0°-25°
Rafter installation	-	●	-
Angle of incline	-	2°-14°	-
Recessed supports	-	●	●
Return unit (horizontal/vertical)	●	-	-
Variable guide position	-	-	●
Vertical shading	⁴ ● / +	+	+
Motor drive	●	●	●
Wall connection profile ¹	+	+	+
Drainage	+	+	-
Can be used as rain shield	● 8°-28°	● ⁵ 6°-14°	● ⁵ 6°-25°
Integrated lighting	-	+	-
Lighting with lamp rail	+	+	+
Radio control	+	+	+

● Standard + Optional - Not possible

¹ impeded rainwater between wall and cassette

² dependent on the projection

³ max projection horizontal, max cover length 850cm (is dependent on the max projection/pole height)

⁴ vertical shade is standard, lateral shade is optional

⁵ 6°-17° with water eyelets, >17° without water eyelets

⁶ max cover area 100m²

⁷ max cover area 30m²



eürofürst





Awning accessories and options



Colours

Powdercoating elements are implemented more often with façade design in current architecture.

As the leading awning manufacturer we have been using this environment friendly and high quality finishing technology, which provides durable protection, for years. Whether RAL, NCS or various special colours from our TOP TEN palette, the colour selection is almost limitless.

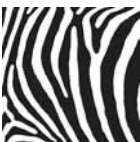
Automation

We offer you exactly the comfort that you want from your individual awning system, from simple wind sensors to complex centralised air-conditioning. Regardless of whether you extend an awning via remote control, turn on atmospheric lighting or you want to control the façade and conservatory awning system in groups: our reliable automatic systems master any situation.

Material

Play of colours and UV protection...

The colour selection of an awning cover influences the play of light and shade in the same manner as the perception of the environment. All awning covers are tested according to strict norms. They provide a high UV protection factor and filter at least 90% of UV rays. - Let our cover collection inspire you.



eürofürst





STOBAG AG
STOBAG International
Pilatusring 1
CH-5630 Muri
www.stobag.com

eürofürst
41/1 Koorooma Place
Sylvania
NSW 2224
www.eurofurst.com.au
+61 (0)408231456

eürofürst

Sales and installation only by specialists

Note:
The latest product is always delivered. The technical details, design and availability may differ from the specifications contained in this document

