



# eürofürst

[www.eurofurst.com.au](http://www.eurofurst.com.au)

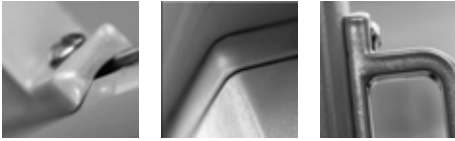
## Free standing awnings



*Stay cool in the shade*



Business Partner  
**STOBAQ**  
Premium Swiss Quality



*All the diversity, all the excitement  
And all the beauty of life  
Is made up of sunshine and shade.*

*Leo Tolstoy*

---

## STOBAG - Premium Swiss Quality

### *Stay cool in the shade*



Shade means quality of life.

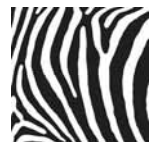
Your increasing demand for convenience, functionality and design has motivated us time and again to develop innovative solutions - and this since 1964.



Whether for balconies or terraces, conservatories or facades - as the leading Swiss manufacturer, STOBAG offers a wide range of individual awning systems to suit all requirements.

Your shade oasis can be comfortably expanded and automated through cleverly devised comfort options.

Plunge into the inspired world of colours and forms. Experience the fantastic symbiosis of quality, technology and design.





### Quality and safety

We guarantee you durable products in uncompromising quality. We achieve this through the consistent use of high quality materials, modern and environmentally sustainable production processes as well as continuous safety inspections.



### Functionality & Technology

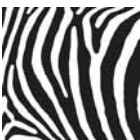
Our many years of experience and close cooperation with specialists, architects and planners enable us to develop innovative products that meet the highest demands.- yesterday, today and tomorrow.



### Aesthetics & design

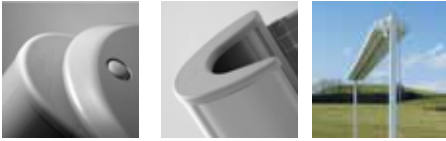
Emotions turn our daily routine into an adventure. The influence of colours and forms play a central role in this. Therefore STOBAG awnings are customised for you. Select from over 350 cover designs and countless frame colours and you can achieve the perfect harmony between architecture and environment

Subject to change without prior notification



**eürofürst**





## BOXMOBIL

*Let the party begin. Up to 42 m<sup>2</sup> of flexible shade.*



The BOXMOBIL makes it easy to shade comfortably large open spaces. The freestanding awning system is especially suitable for catering businesses, at swimming pools, events and many other uses.

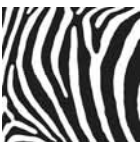


The structure comprises solid steel supports and two box awnings. They can be operated individually by gear and crank or by an optional electric motor. The automation and control systems, available as accessories, protect the BOXMOBIL awning against damages following sudden weather changes. The fabric and folding arms are perfectly protected by the all-round sealed boxes against the weather when rolled up.

Stability is guaranteed by the concrete sockets or fixing with floor sleeves. It is also possible to link several awnings together.

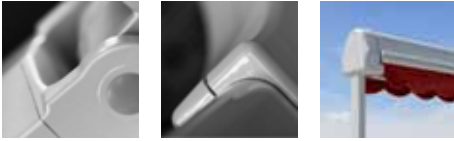


*Fully detached. You decide where the shade falls.  
The sturdy protection against the sun for large areas in the open.*



**eürofürst**

Business Partner  
**STOBAQ**  
Premium Swiss Quality



## OMBRAMOBIL

*Protection from the sun wherever you want.*



The OMBRAMOBIL is a free-standing double awning which provides a very large area of shade. As there are no middle posts to get in the way, the space under the awning can be used to the best effect.

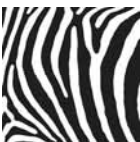


The OMBRAMOBIL is very versatile and can be used for catering establishments or private use, as well as for play schools, market stalls or outdoor festivities. As the name implies, this awning is mobile and disassembling take only a very short time. The stable folding arms with double cables roll out both sides simultaneously. The two-leg version is available with cross feet or with floor sleeves to be set in concrete. Fabric and folding arms are well protected in the box, so the OMBRAMOBIL can be left outside over the winter.



Manual operation with gear and crank. Motor drive is available as an option.

*Enjoy your leisure time outdoors and let the children play without worry.  
Set up your special shaded area of the garden – wherever you want.*



**eürofürst**

Business Partner  
**STOBAQ**  
Premium Swiss Quality



## SIRO/SIRO-FLEX

*Visual and lateral shade system*



The SIRO and SIRO-FLEX models are the ideal privacy blinds for terraces and balconies. They protect you from your neighbours' prying eyes or annoying high winds and also provide lateral shade.



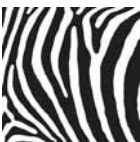
The blind can be pulled out by hand using the adjustable handle up to 400 cm (SR5000 / SR6000) and fixed in position. Various poles and brackets are available for the fixing. The integrated spring shaft tensions the fabric permanently and gives optimum hold. When rolled in, the fabric is protected in the elegant aluminium box. Both SIRO models can be installed vertically or horizontally.



The SIRO-FLEX can be used for many applications. The whole construction is simply hung in the wall console and fixed. Additional consoles allow the system to be moved from place to place with no great effort.



*Preserve your privacy and protect yourself against the wind and low sun.  
The flexible privacy blinds can be fitted in an instant.*



**eürofürst**

Business Partner  
**STOBAQ**  
Premium Swiss Quality

# Technical information

	BOXMOBIL OS6000	OMBRAMOBIL OS4000	SIRO SR4000	SIRO SR5000	SIRO-FLEX SR6000
Total width min	210cm	315cm	120cm	120cm	120cm
Total width max	612cm	555cm	200cm	200cm	200cm
Projection min	300cm	300cm	100cm	100cm	100cm
Projection max	700cm	450cm	250cm	<sup>2</sup> 400cm	<sup>2</sup> 400cm
Total height	300cm	260cm	-	-	-
Wall fixing Angle of incline	-	+ 10°-20°	●	●	<sup>3</sup> ●
Top fixing Angle of incline	-	-	●	●	<sup>3</sup> ●
Side fixing Angle of incline	-	+ 10°-20°	-	-	-
Free standing installation	● 0°-90°	● 10°-20°	-	-	-
Adjustable box	-	-	-	-	●
Individual operation	●	-	-	-	-
Floor sleeve in ground	●	●	<sup>1</sup> ●	<sup>1</sup> ●	<sup>1</sup> ●
Concrete base	+	-	-	-	-
Transverse foot	-	●	-	-	-
Manual drive	●	●	-	-	-
Motor drive	+	+	-	-	-
Remote controls	+	+	-	-	-

● Standard + Optional - Not possible

<sup>1</sup> only with insertable posts

<sup>2</sup> for some fabrics projection max 300cm

<sup>3</sup> adjustable brackets can be moved



eürofürst



# Technical information



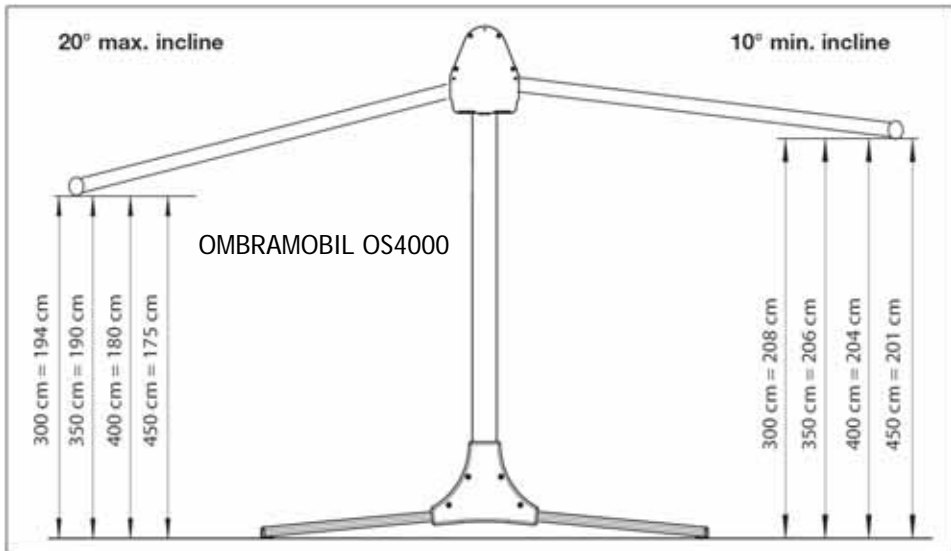
BOXMOBIL OS6000



**eürofürst**

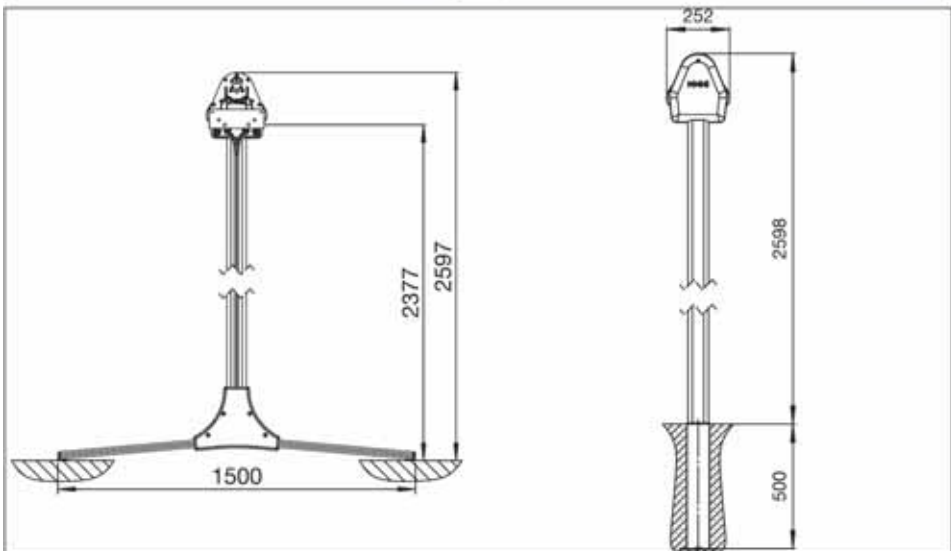
Business Partner  
**STOBAG**  
Premium Swiss Quality

# Technical information



Version with transverse foot OS412

Version with floor sleeves OS315



**eürofürst**

Business Partner  
**STOBAQ**  
Premium Swiss Quality

# Technical information

	ALFRESCO P4000	MIRANDA P8000	PERGOLINO P3000
Total width min	<sup>2</sup> 250cm	100cm	200cm
Total width max	500cm	<sup>6</sup> 1700cm	<sup>7</sup> 550cm
Projection min	100cm	150cm	200cm
Projection max	<sup>3</sup> 600cm	<sup>6</sup> 700cm	<sup>7</sup> 500cm
Wall fixing	●	●	●
Angle of incline	3°-28°	2°-14°	0°-25°
Top fixing	●	●	●
Angle of incline	3°-28°	2°-14°	0°-25°
Rafter installation	-	●	-
Angle of incline	-	2°-14°	-
Recessed supports	-	●	●
Return unit (horizontal/vertical)	●	-	-
Variable guide position	-	-	●
Vertical shading	<sup>4</sup> ● / +	+	+
Motor drive	●	●	●
Wall connection profile <sup>1</sup>	+	+	+
Drainage	+	+	-
Can be used as rain shield	● 8°-28°	● <sup>5</sup> 6°-14°	● <sup>5</sup> 6°-25°
Integrated lighting	-	+	-
Lighting with lamp rail	+	+	+
Radio control	+	+	+

● Standard + Optional - Not possible

<sup>1</sup> impeded rainwater between wall and cassette

<sup>2</sup> dependent on the projection

<sup>3</sup> max projection horizontal, max cover length 850cm (is dependent on the max projection/pole height)

<sup>4</sup> vertical shade is standard, lateral shade is optional

<sup>5</sup> 6°-17° with water eyelets, >17° without water eyelets

<sup>6</sup> max cover area 100m<sup>2</sup>

<sup>7</sup> max cover area 30m<sup>2</sup>



eürofürst





## Awning accessories and options



### Colours

Powdercoating elements are implemented more often with façade design in current architecture.

As the leading awning manufacturer we have been using this environment friendly and high quality finishing technology, which provides durable protection, for years. Whether RAL, NCS or various special colours from our TOP TEN palette, the colour selection is almost limitless.



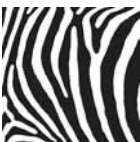
### Automation

We offer you exactly the comfort that you want from your individual awning system, from simple wind sensors to complex centralised air-conditioning. Regardless of whether you extend an awning via remote control, turn on atmospheric lighting or you want to control the façade and conservatory awning system in groups: our reliable automatic systems master any situation.

### Material

Play of colours and UV protection..

The colour selection of an awning cover influences the play of light and shade in the same manner as the perception of the environment. All awning covers are tested according to strict norms. They provide a high UV protection factor and filter at least 90% of UV rays. - Let our cover collection inspire you.



**eürofürst**





---

STOBAG AG  
STOBAG International  
Pilatusring 1  
CH-5630 Muri  
[www.stobag.com](http://www.stobag.com)

eürofürst  
41/1 Koorooma Place  
Sylvania  
NSW 2224  
[www.eurofurst.com.au](http://www.eurofurst.com.au)  
+61 (0)408231456

**eürofürst**

---

Sales and installation only by specialists

Note:  
The latest product is always delivered. The technical details, design and availability may differ from the specifications contained in this document

