



eürofürst

www.eurofurst.com.au

Conservatory shading



Stay cool in the shade



Business Partner
STOBAG
Premium Swiss Quality



*All the diversity, all the excitement
And all the beauty of life
Is made up of sunshine and shade.*

Leo Tolstoy

STOBAG - Premium Swiss Quality *Stay cool in the shade*



Shade means quality of life.

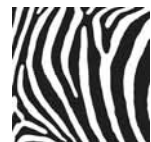
Your increasing demand for convenience, functionality and design has motivated us time and again to develop innovative solutions - and this since 1964.



Whether for balconies or terraces, conservatories or facades - as the leading Swiss manufacturer, STOBAG offers a wide range of individual awning systems to suit all requirements.

Your shade oasis can be comfortably expanded and automated through cleverly devised comfort options.

Plunge into the inspired world of colours and forms. Experience the fantastic symbiosis of quality, technology and design.





Quality and safety

We guarantee you durable products in uncompromising quality. We achieve this through the consistent use of high quality materials, modern and environmentally sustainable production processes as well as continuous safety inspections.



Functionality & Technology

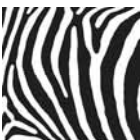
Our many years of experience and close cooperation with specialists, architects and planners enable us to develop innovative products that meet the highest demands.- yesterday, today and tomorrow.



Aesthetics & design

Emotions turn our daily routine into an adventure. The influence of colours and forms play a central role in this. Therefore STOBAG awnings are customised for you. Select from over 350 cover designs and countless frame colours and you can achieve the perfect harmony between architecture and environment

Subject to change without prior notification



eürofürst





AIROMATIC

The precious shading system in a timeless and modern design



The two AIROMATIC models are perfectly suitable for exterior installation on conservatories, glass roofs and skylights. Their compact constructions make these awning systems especially for small and medium sized areas.

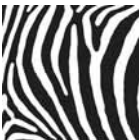


The elegant cassette is self supported and, as all the other profiles and cast parts, made of high quality aluminium. When the awning is rolled up, the end profile fits the cassette perfectly and protects the cover against the weather. The lateral, patented gas filled struts ensure constant and perfect tensioning of the cover. A choice of fixings allows flexible and easy installation - even on a complicated substructure.

An electronically controlled motor with automatic end stop drives the awning. Remote controls as well as sun, wind, rain and temperature sensors are also available.



Turn your conservatory into a cool oasis of shade in hot weather.



eürofürst

Business Partner
STOBAQ
Premium Swiss Quality



TARGA/TARGA PLUS

Up to 49m² of shade - the elegant solution for large conservatories



The TARGA models are suitable for larger, complex glass roofing and substructures. The exterior awning protects against the sun and heat and generates a pleasant indoor climate- with excellent visual properties.



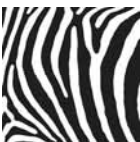
The guide rails can be moved inwards and can thus shade even specially shaped or inclined conservatories. The TARGA PLUS model provides a real step forward in shading. The patented "Plus technology" with its telescopic guide rails makes it possible to extend the cover up to a maximum of 140cm over the conservatory roof. Even with a small roof inclination, the patented filled cylinders mechanism ensures perfect tensioning of the cover.



The standard electric drive makes it very convenient to operate.



Keep out the heat and provide flexible and effective shading - even in complex structures



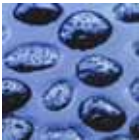
eürofürst

Business Partner
STOBAQ
Premium Swiss Quality



ARCADA/ARCADA PLUS

Two benefits in one - shade for every occasion



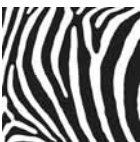
The ARCADA is especially designed for combined shading of roof and vertical areas of glass annexes and conservatories. This innovative system not only protects against the sun and glare but also protects against prying eyes.

The aluminium guide rails can be adjusted to any angle up to 90° using one or more bends. This makes the ARCADA very suitable for special structures such as patios or dormer windows. The proven gas filled cylinders in the front rail assure constant fabric tensioning in any position. The ARCADA PLUS can be used for big conservatories or free standing structures.

Additional controls such as sun, wind or rain sensors, available as options, complement the standard electric drive with convenient automatic functions.



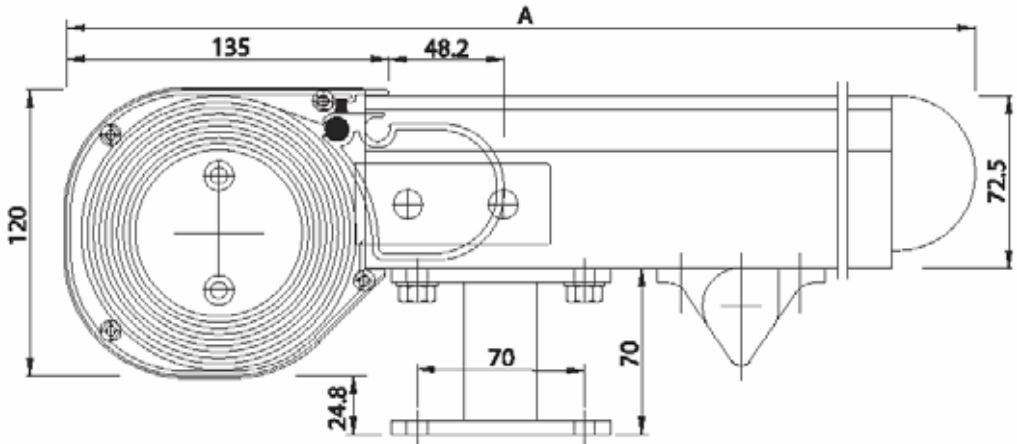
The smart combination: the made to measure oblique and vertical awning provides reliable protection against sun, light and ensures privacy



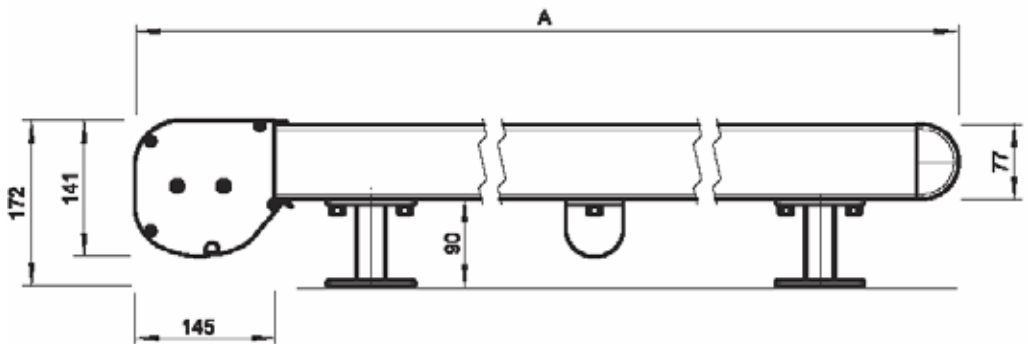
eürofürst

Business Partner
STOBAG
Premium Swiss Quality

Technical information



AIROMATIC PS4000



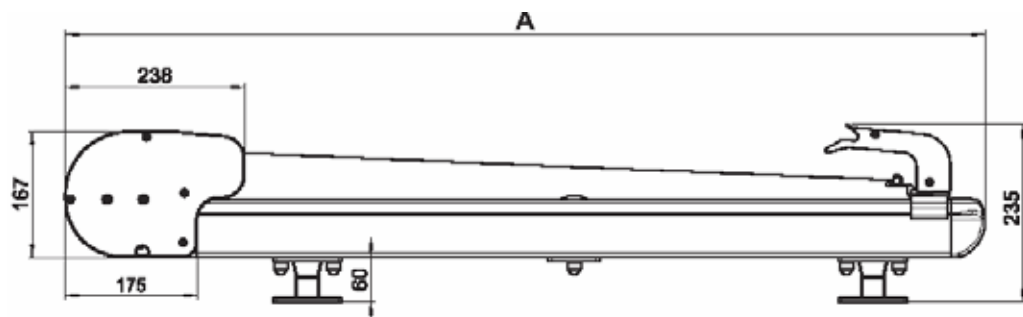
AIROMATIC PS4500



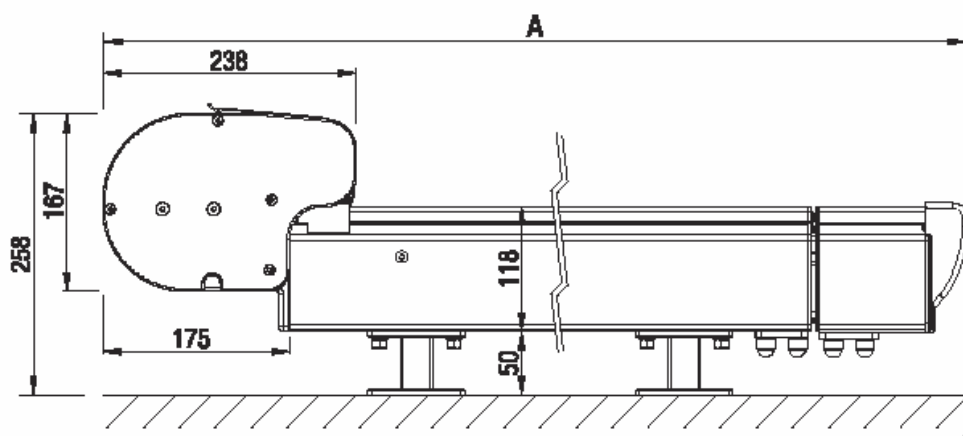
eürofürst

Business Partner
STOBAQ
Premium Swiss Quality

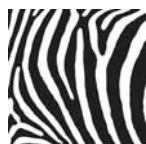
Technical information



TARGA PS6000



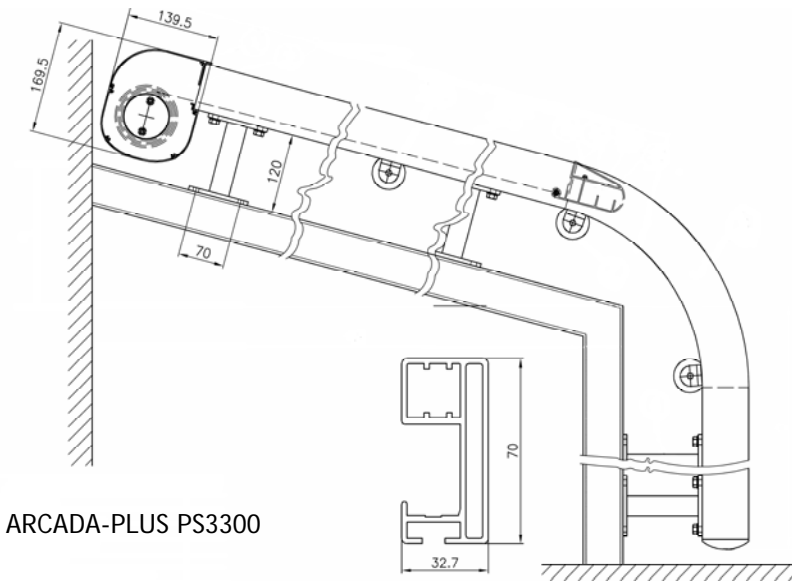
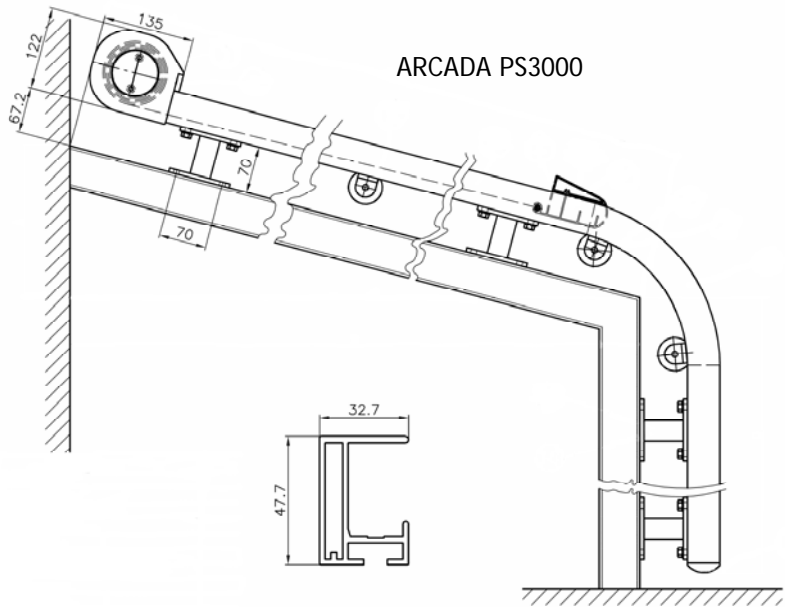
TARGA PLUS PS6100



eürofürst

Business Partner
STOBAQ
Premium Swiss Quality

Technical information



eürofürst

Business Partner
STOBAQ
Premium Swiss Quality

	AIROMATIC PS4000	AIROMATIC PS4500	TARGA PS6000	TARGA PLUS PS6100	ARCADA PS3000	ARCADA PLUS PS3300
Total width min	85cm	85cm	85cm	85cm	⁶ 85cm	⁶ 85cm
Total width max	² 400cm	³ 550cm	⁴ 700cm	⁴ 700cm	500cm	500cm
Projection min	100cm	100cm	110cm	210cm	150cm	150cm
Projection max	² 400cm	³ 600cm	⁴ 700cm	⁴ 700cm	500cm	650cm
Wall fixing	-	-	-	-	-	●
Top fixing	-	-	-	-	-	●
Side fixing	●	●	-	-	●	●
Installation on substructures	●	●	●	●	●	●
Free standing installation	-	-	-	-	-	●
Cassette	●	●	●	●	●	●
Variable guide rail position	-	-	●	●	-	-
More projection	-	-	-	●	-	-
Horizontal/vertical	-	-	-	-	●	●
Electric motor	●	●	●	●	●	●
Wall connection profile ¹	+	+	+	+	+	+
Soundproofed fixing brackets	+	+	+	+	+	-
Radio control	+	+	+	+	+	+

● Standard + Optional - Not possible

1 Impede rainwater between wall and cassette

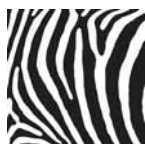
2 Max 14 m²

3 Max 27.5 m²

4 With 3 guides starting at 600cm, the awning has 2 fabric covers. Max width/projection with 2 guides is 600cm

5 Double fixing brackets not possible

6 Dependent on the projection



eürofürst





Awning accessories and options



Colours

Powdercoating elements are implemented more often with façade design in current architecture.

As the leading awning manufacturer we have been using this environment friendly and high quality finishing technology, which provides durable protection, for years. Whether RAL, NCS or various special colours from our TOP TEN palette, the colour selection is almost limitless.



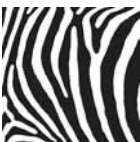
Automation

We offer you exactly the comfort that you want from your individual awning system, from simple wind sensors to complex centralised air-conditioning. Regardless of whether you extend an awning via remote control, turn on atmospheric lighting or you want to control the façade and conservatory awning system in groups: our reliable automatic systems master any situation.

Material

Play of colours and UV protection..

The colour selection of an awning cover influences the play of light and shade in the same manner as the perception of the environment. All awning covers are tested according to strict norms. They provide a high UV protection factor and filter at least 90% of UV rays. - Let our cover collection inspire you.



eürofürst





STOBAG AG
STOBAG International
Pilatusring 1
CH-5630 Muri
www.stobag.com

eürofürst
41/1 Koorooma Place
Sylvania
NSW 2224
www.eurofurst.com.au
+61 (0)408231456

eürofürst

Sales and installation only by specialists

Note:
The latest product is always delivered. The technical details, design and availability may differ from the specifications contained in this document

